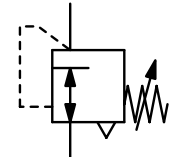


|                           |   |  |
|---------------------------|---|--|
| <b>Description</b>        | The diaphragm pressure regulator provides precision regulation in high flow applications. A balanced inner valve, sensitive rolling diaphragm and carefully positioned aspirator tube ensure constant outlet pressure even with changing supply pressure and flow fluctuations. |  |
| <b>Media</b>              | compressed air or non-corrosive gases   |  |
| <b>Supply pressure</b>    | max. 35 bar   |  |
| <b>Accuracy</b>           | response sensitivity: < 2 mbar  |  |
| <b>Air consumption</b>    | max. 6 l/min, subject to outlet pressure  |  |
| <b>Adjustment</b>         | by handwheel with locknut   |  |
| <b>Relieving function</b> | relieving, optionally non-relieving   |  |
| <b>Relief capacity</b>    | 150 l/min at 1.5 bar outlet and 0.35 bar overpressure above setpoint  |  |
| <b>Gauge port</b>         | G $\frac{1}{4}$ on both sides of the body, optionally $\frac{1}{4}$ " NPT   |  |
| <b>Temperature range</b>  | 0 °C to 90 °C / 32 °F to 194 °F, for appropriately conditioned compressed air down to -40 °C / -40 °F   |  |
| <b>Material</b>           | Body: aluminium die-cast  | Inner valve: stainless steel and brass |
|                           | Elastomer: NBR/Buna-N, optionally FKM   |  |



**G $\frac{1}{4}$  up to G $\frac{1}{2}$ , 1000 l/min  
10 ... 140 mbar / 28 bar**

| Dimensions |   |   | K <sub>v</sub> -value<br>(m <sup>3</sup> /h) | Flow rate<br>m <sup>3</sup> /h*1 l/min*1 | Connection thread<br>G | Pressure range<br>bar | Order number * |
|------------|---|---|--|--|------------------------|-----------------------|----------------|
| A          | B | C |  |  |                        |                       |                |

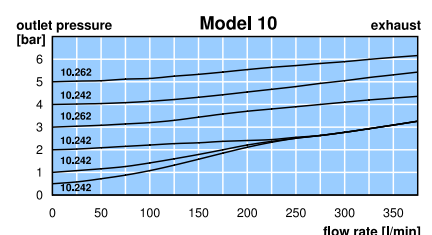
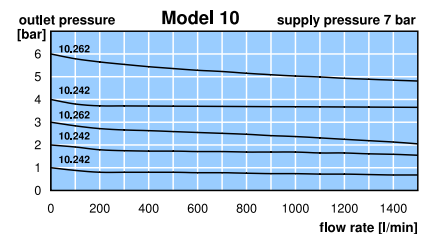
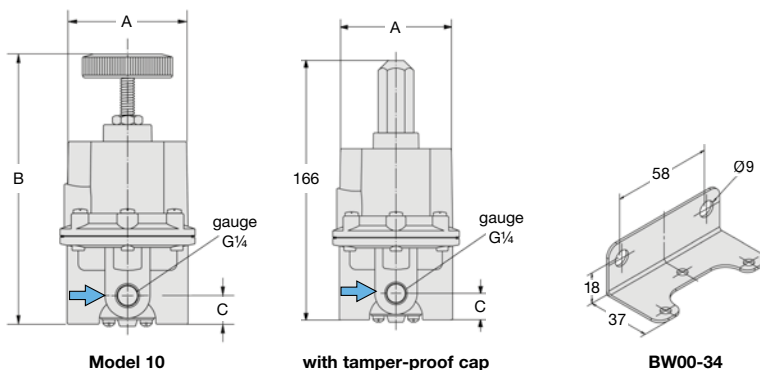
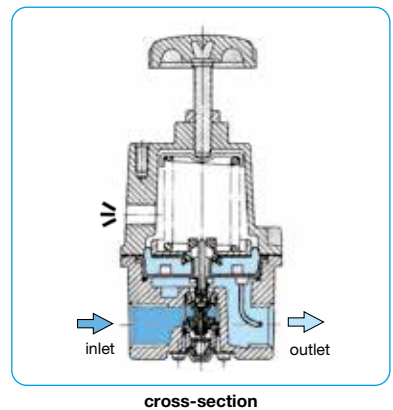
| Precision pressure regulator |     |    |      |    |      |                 | supply pressure max. 35 bar, relieving, with constant bleed | Model 10      |
|------------------------------|-----|----|------|----|------|-----------------|---|---------------|
| 67                           | 169 | 26 | 0.64 | 60 | 1000 | G $\frac{1}{4}$ | 0.01 ... 0.14   | <b>10212H</b> |
|                              |     |    |      |    |      |                 | 0.01 ... 0.7  | <b>10222H</b> |
|                              |     |    |      |    |      |                 | 0.01 ... 1.4  | <b>10202H</b> |
|                              |     |    |      |    |      |                 | 0.01 ... 2.1  | <b>10232H</b> |
|                              |     |    |      |    |      |                 | 0.07 ... 4.1  | <b>10242H</b> |
|                              |     |    |      |    |      |                 | 0.14 ... 10   | <b>10262H</b> |
|                              |     |    |      |    |      |                 | 0.20 ... 14   | <b>10272H</b> |
| 67                           | 178 | 26 | 0.64 | 60 | 1000 | G $\frac{1}{4}$ | 0.30 ... 21   | <b>10282H</b> |
|                              |     |    |      |    |      |                 | 0.30 ... 28   | <b>10292H</b> |

**Special options,** add the appropriate letter

|                                  |   |           |
|----------------------------------|---|-----------|
| <b>G<math>\frac{3}{8}</math></b> | connection thread   | 102.3H    |
| <b>G<math>\frac{1}{2}</math></b> | connection thread, recommended for mbar-range             | 102.4H    |
| <b>NPT</b>                       | connection thread   | 102.2     |
| <b>non-relieving</b>             | and without constant bleed                                | 102.2.N   |
| <b>reduced bleeding</b>          | approx. 2 l/min   | 102.2.B   |
| <b>for small flow rate</b>       | high constant bleed for more sensitivity                  | 102.2.L   |
| <b>tapped exhaust</b>            | G $\frac{1}{4}$ connection thread                         | 102.2.E   |
| <b>FKM elastomer</b>             |   | 102.2.J   |
| <b>tamper-proof cap</b>          | aluminium, adjustment by screwdriver, total height 166 mm | 102.2.T   |
| <b>for oxygen</b>                | specially cleaned   | 102.2.SC  |
| <b>non-ferrous metal-free</b>    | FKM elastomer   | 102.2.X63 |

**Accessories,** enclosed


|                         |   |                     |
|-------------------------|---|---------------------|
| <b>pressure gauge</b>   | Ø 63 mm, 0 ... 160 mbar, G $\frac{1}{4}$ , capsule type             | <b>MA6302-C2</b>    |
| <b>pressure gauge</b>   | Ø 50 mm, 0 ... *2 bar, G $\frac{1}{4}$ , Bourdon tube               | <b>MA5002-...*2</b> |
| <b>gauge connectors</b> | for NPT ports, adapter $\frac{1}{4}$ " NPT - G $\frac{1}{4}$ female | <b>VP-0202N</b>     |
| <b>mounting bracket</b> | made of steel   | <b>BW00-34</b>      |



\*1 at 7 bar supply pressure, 6 bar outlet pressure and 1 bar pressure drop  
\*2 01 = 0 ... 1 bar, 02 = 0 ... 2.5 bar, 06 = 0 ... 6 bar, 10 = 0 ... 10 bar, 16 = 0 ... 16 bar, 25 = 0 ... 25 bar, 60 = 0 ... 60 bar

Gauges: see chapter for measuring devices

PDF CAD  
www.aircom.net

 **Order example:  
10212H**